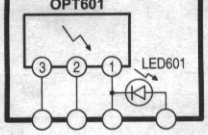
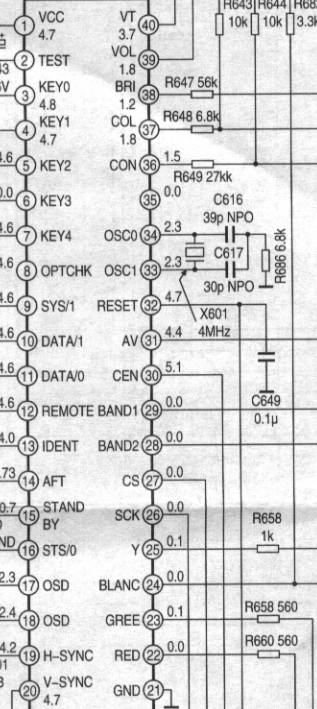


# MAIN BOARD

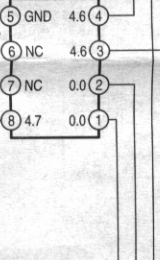


- CONTROL LOCATION:  
 1. S601 PROGRAM UP  
 2. S602 PROGRAM DOWN  
 3. S603 VOLUME UP  
 4. S608 MEMORY  
 5. S608 TUNING DOWN  
 6. S604 VOLUME DOWN  
 7. S605 PICTURE  
 8. S606 SEARCH  
 9. S607 TUNING UP  
 10. S610 A-V

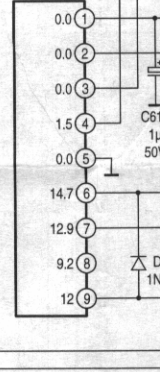
## IC601 TMS73C47



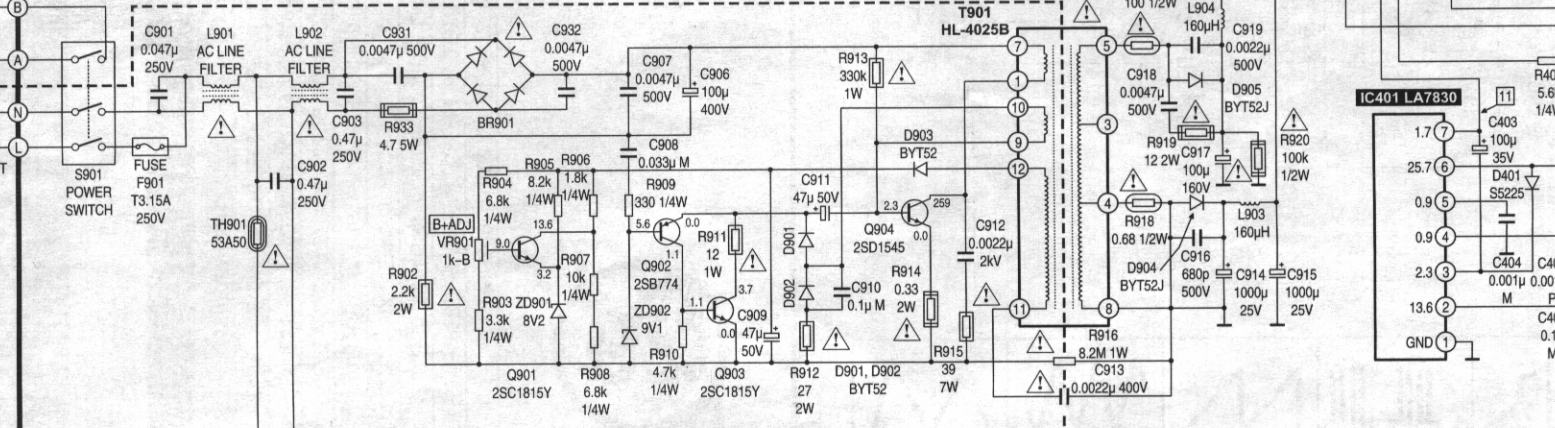
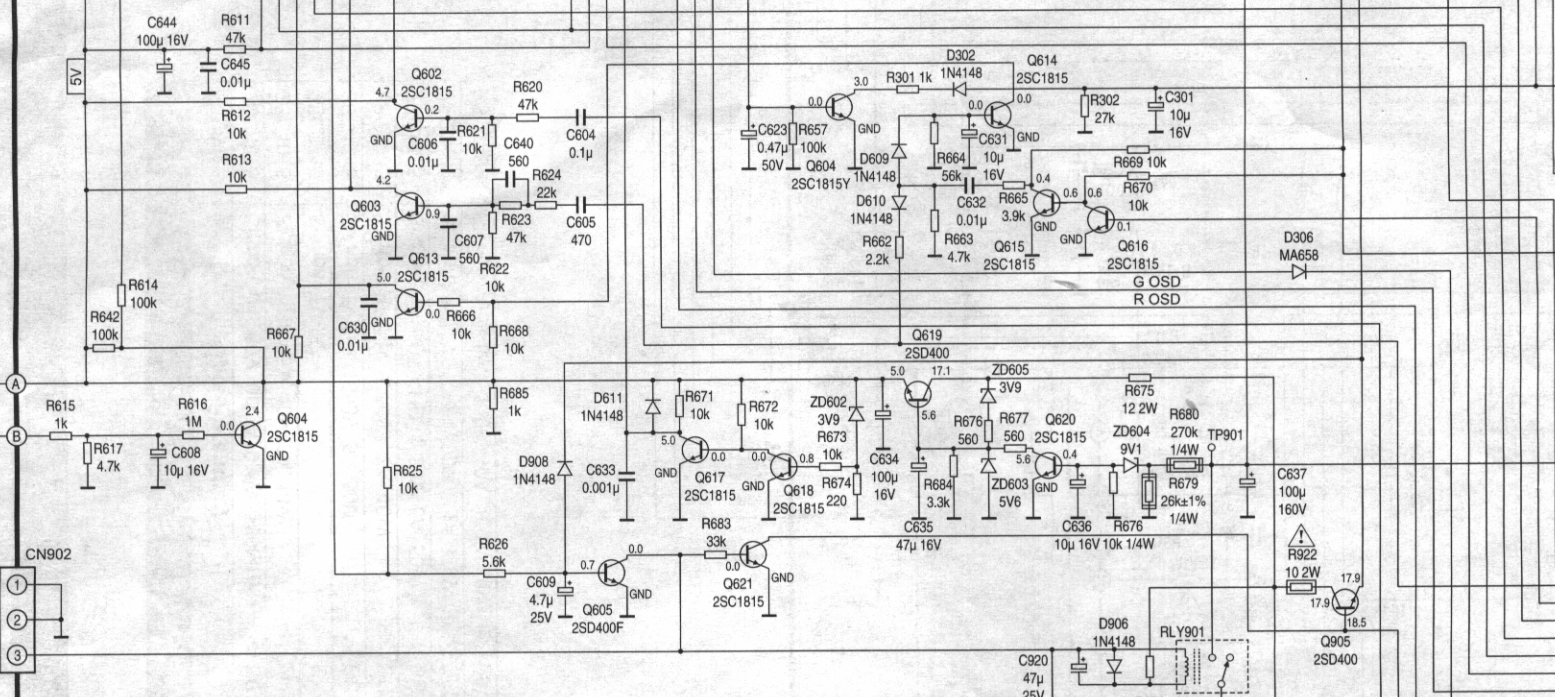
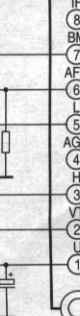
## IC602 93C46



## IC603 LA7910

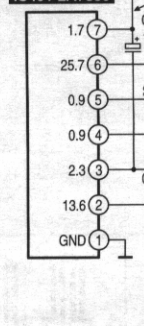


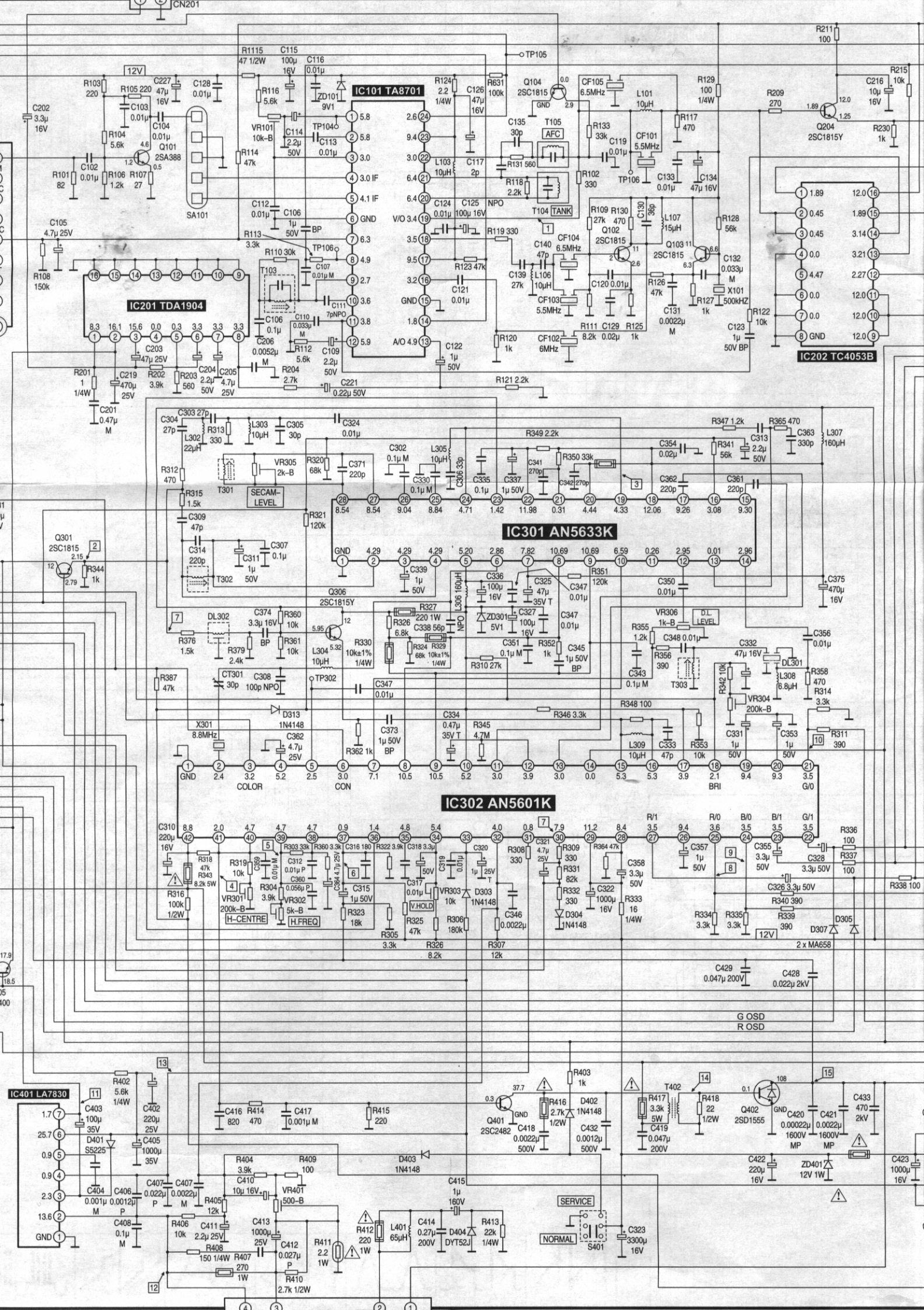
## TUNER



CAUTION LIVE AREA

## IC401 LA7830





**IC101 TA8701**

**IC201 TDA1904**

**IC301 AN5633K**

**IC302 AN5601K**

**IC401 LA7830**

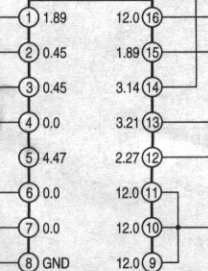
**IC202 TC4053B**

SERVICE

NORMAL

G OSD  
R OSD

2 x MA658



COLOR

CON

BRI

G/O

108

15

14

13

12

11

10

9

8

7

6

5

4

3

2

1

16

15

14

13

12

11

10

9

8

7

6

5

4

3

2

1

16

15

14

13

12

11

10

9

8

7

6

5

4

3

2

1

16

15

14

13

12

11

10

9

8

7

6

5

4

3

2

1

16

15

14

13

12

11

10

9

8

7

6

5

4

3

2

1

16

15

14

13

12

11

10

9

8

7

6

5

4

3

2

1

16

15

14

13

12

11

10

9

8

7

6

5

4

3

2

1

16

15

14

13

12

11

10

9

8

7

6

5

4

3

2

1

16

15

14

13

12

11

10

9

8

7

6

5

4

3

2

1

16

15

14

13

12

11

10

9

8

7

6

5

4

3

2

1

16

15

14

13

12

11

10

9

8

7

6

5

4

3

2

1

16

15

14

13

12

11

10

9

8

7

6

5

4

3

2

1

16

15

14

13

12

11

10

9

8

7

6

5

4

3

2

1

16

15

14

13

12

11

10

9

8

7

6

5

4

3

2

1

16

15

14

13

12

11

10

9

8

7

6

5

4

3

2

1

16

15

14

13

12

11

10

9

8

7

6

5

4

3

2

1

16

15

14

13

12

11

10

9

8

7

6

5

4

3

2

1

16

15

14

13

12

11

10

9

8

7

6

5

4

3

2

1

16

15

14

13

12

11

10

9

8

7

6

5

4

3

2

